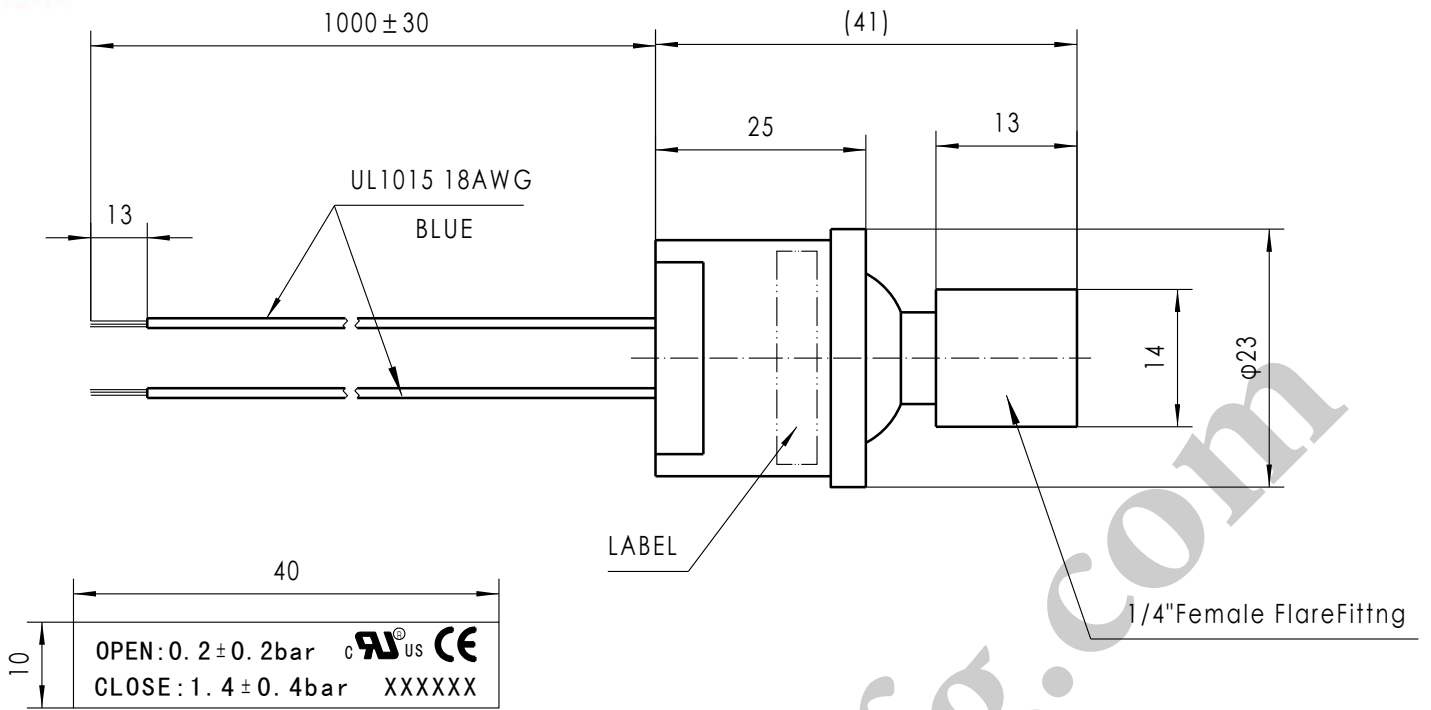




UNIT: mm



## TECHNICAL SPECIFICATIONS

ACTUATION/OPEN PRESSURE_ . . . . .	0.2+/-0.2bar
RELEASE/CLOSE PRESSURE_ . . . . .	1.4+/-0.4bar
PROOF PRESSURE_ . . . . .	250 PSI
BURST PRESSURE_ . . . . .	5000 PSI
TEMPERATURE RANGE_ . . . . .	Ambient:-30°C to +80°C
	Fluid: -50°C to +120°C
ELECTRICAL RATING_ . . . . .	50/60Hz, 36VDC, 3A
	Voltage    Amperage
	24    125VA    pilot duty
	120    375VA    pilot duty
	240    375VA    pilot duty
DIELECTRONIC STRENGTH_ . . . . .	750 VRMS open switch
	1550 VRMS terminals to fitting
LIFE AT RATED LOAD_ . . . . .	100,000 Cycles
SWITCH CONFIGURATION_ . . . . .	SPST, at atmospheric pressure:OPEN

PREESSURE SWITCH DRAWING

CUSTOMER NAME:

CUSTOMER P/N: